



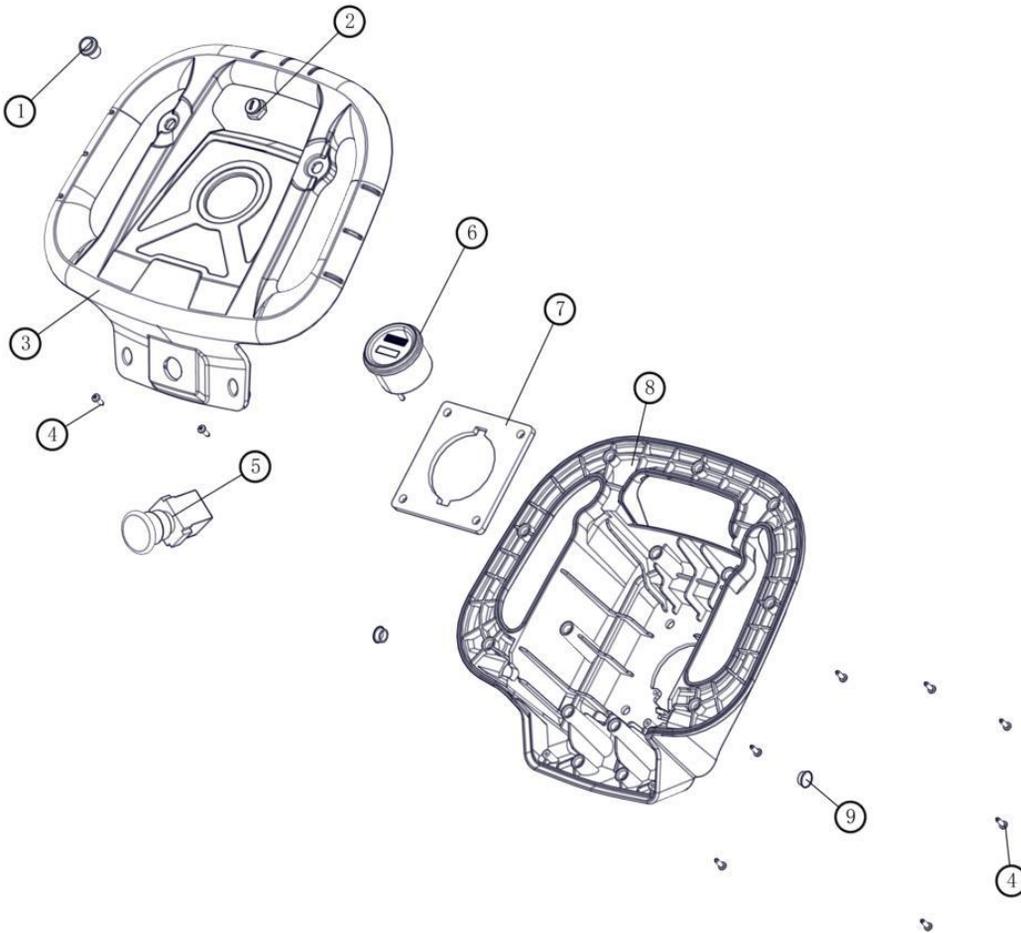
RHINO 19PD *CLEANING MACHINES*

RHINO 19" PAD DRIVE BATTERY FLOOR SCRUBBER
Parts Manual (EN)



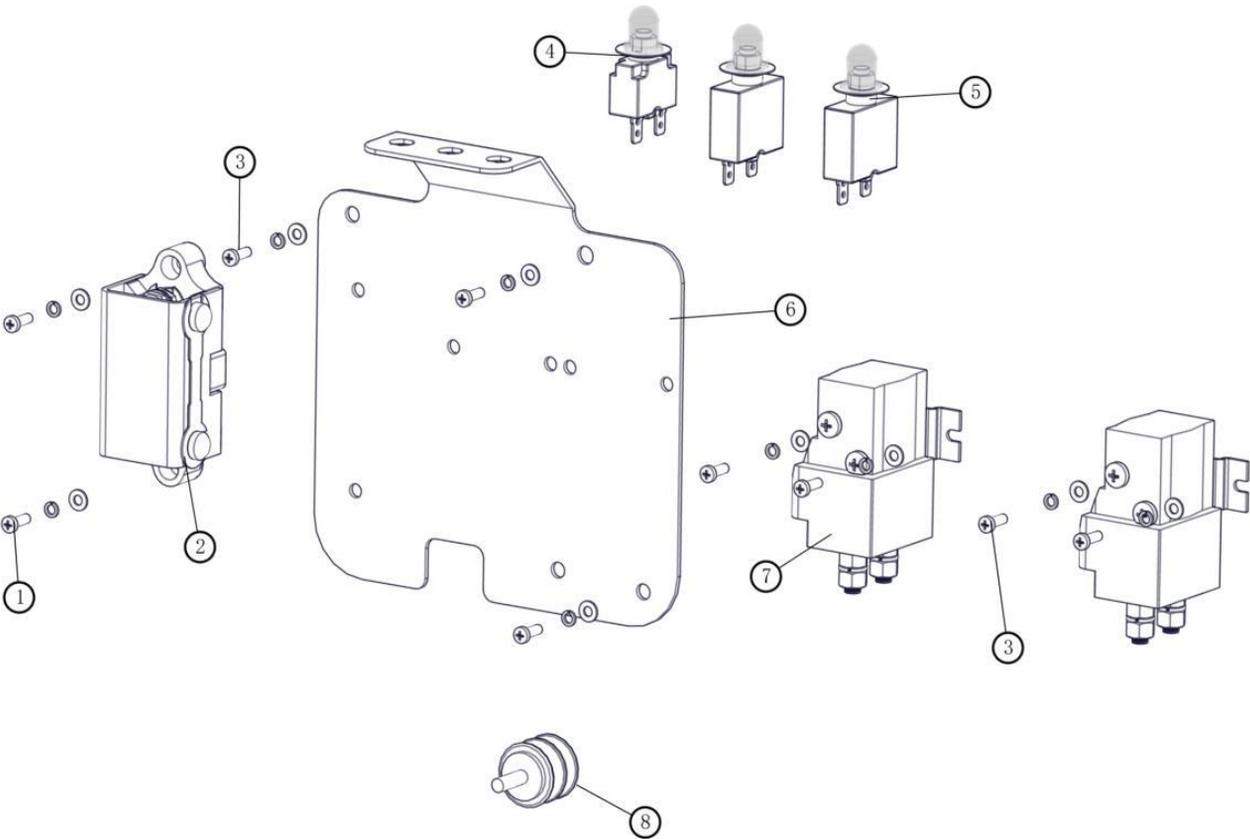
Rev. 02 (07-2024)

Control Panel Group



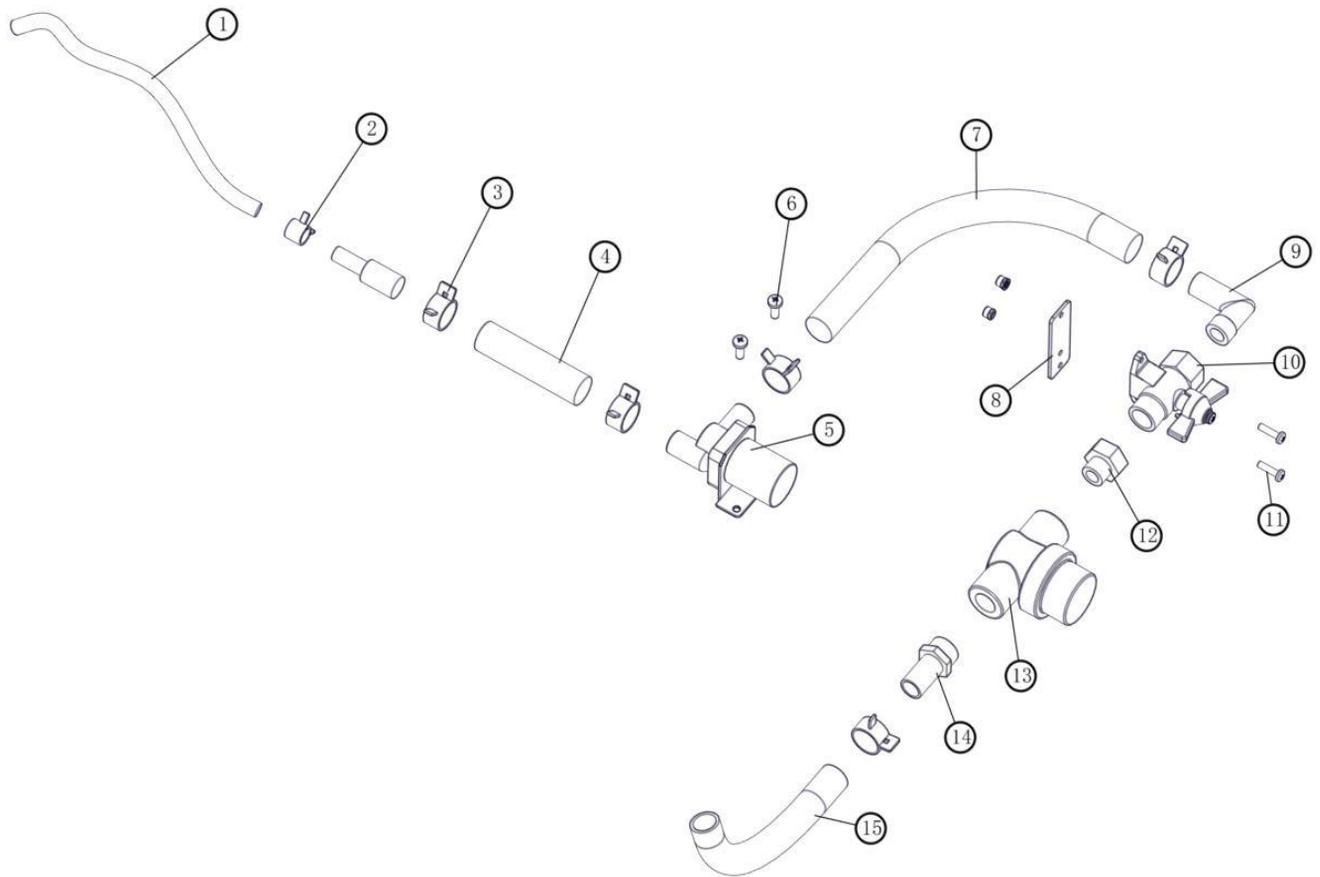
Ref.	Part No.	Description	Qty.
1	RH5006122	GM45 wiring harness 2	1
2	RH5005972	12MM waterproof decorative cover	1
3	RH5006108	45B Steering wheel cover	1
4	RH4001130	ST3.5*12 pan head cross self-tapping screw	9
5	RH5001546	GM50B with emergency stop key switch	1
6	RH5006049	45 battery gauge	1
7	RH5005689	Steering wheel fixing plate (new style)	1
8	RH5005666	Steering wheel base (new style)	1
9	RH5006111	13 mm decorative cover	2

Electrical Group



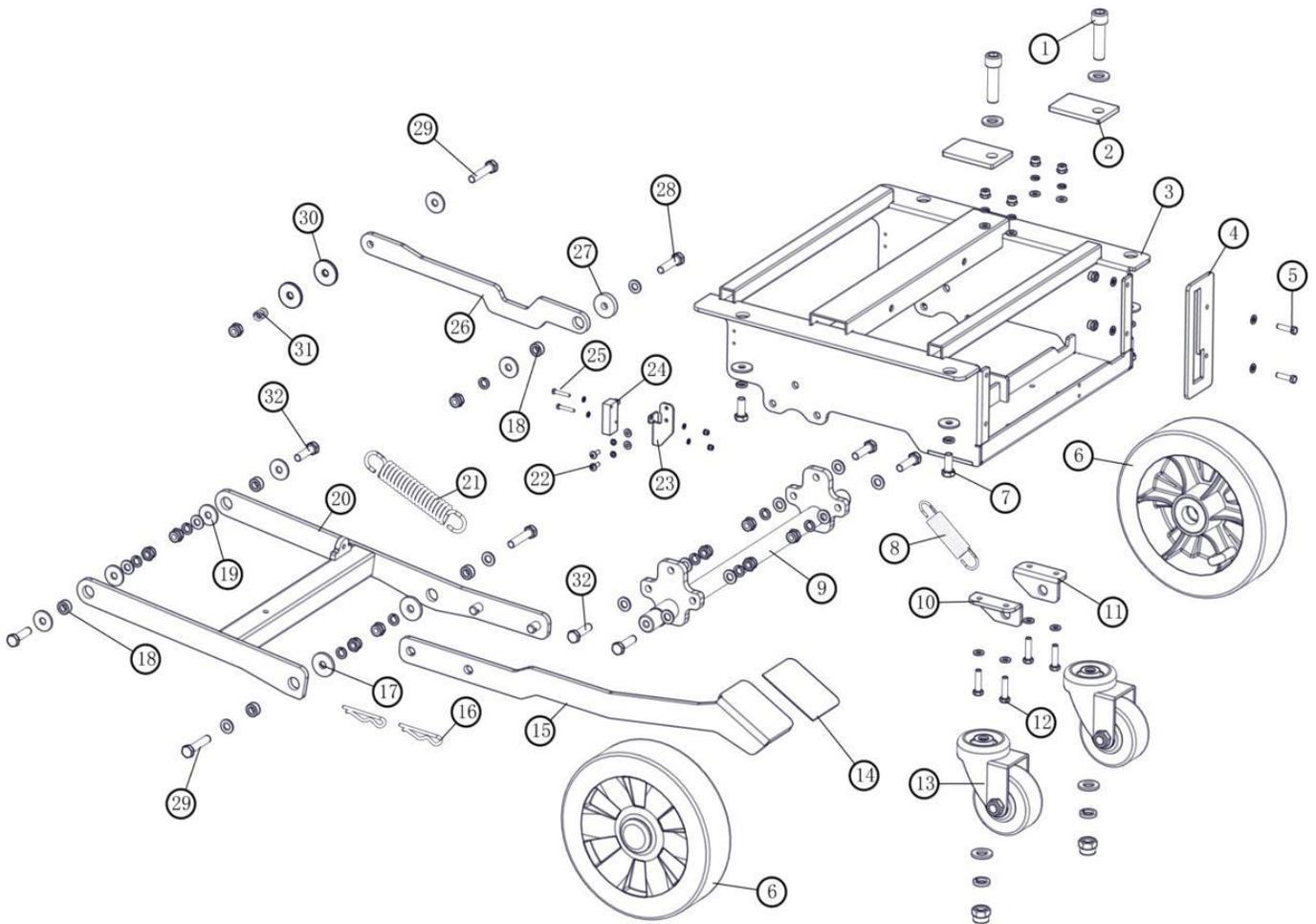
Ref.	Part No.	Description	Qty.
1	RH4000194	M4*14 large pan head cross	2
2	RH5001636	100A box. 100A	1
3	RH4000038	M4*12 large pan head cross	7
4	RH5001643	5A protector (including waterproof cap)	1
5	RH5001647	25A protector (including waterproof cap)	1
6	RH5006073	Electrical mounting plate	1
7	RH5006047	45 contactor	2
8	RH5001698	Insulated pile head GM110	1

Hose Group



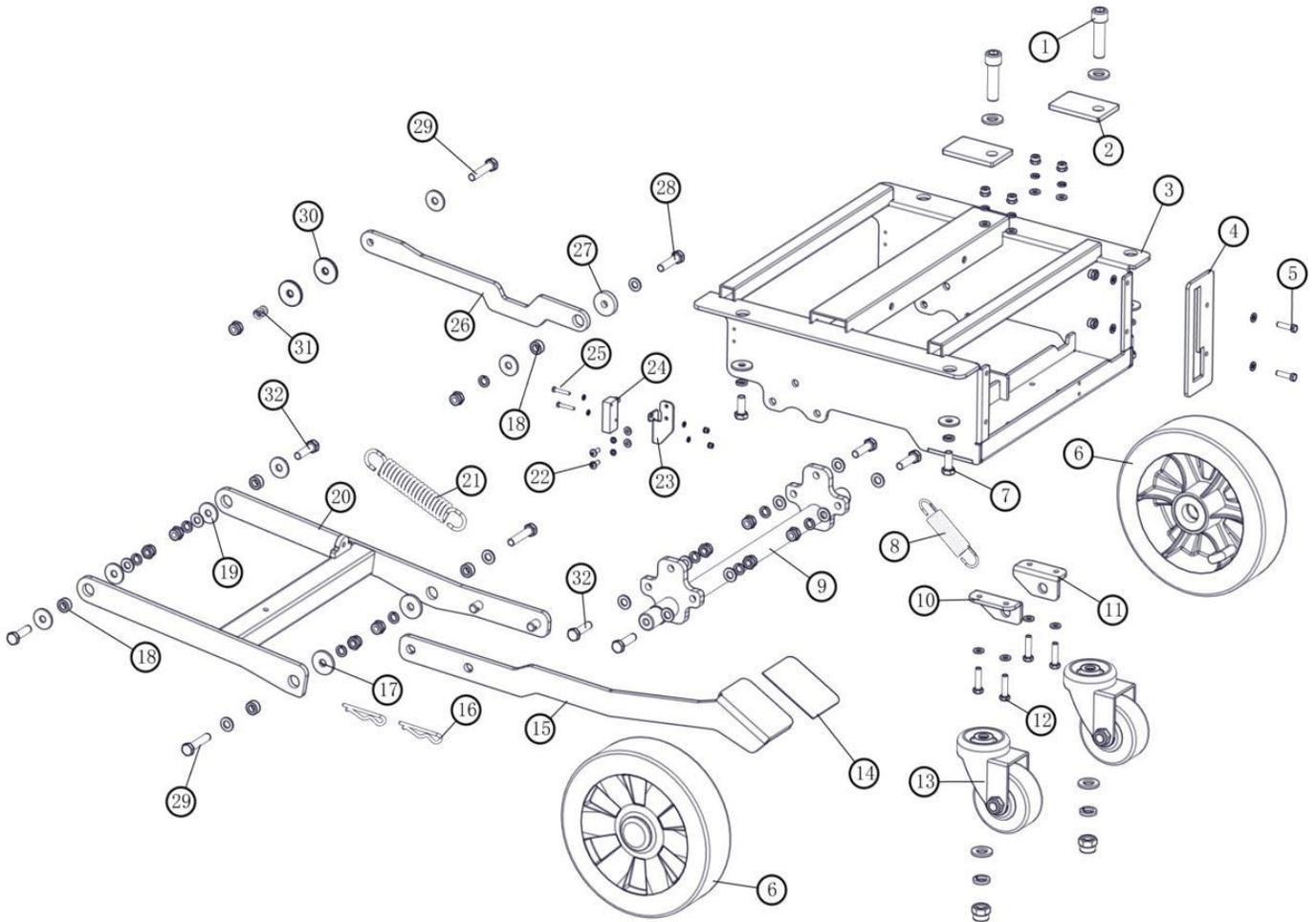
Ref.	Part No.	Description	Qty.
1	RH5002865	∅ 8× ∅ 12 transparent silicone tube	1
2	RH5004738	13 clamp	1
3	RH5004739	20 clamp	5
4	RH5004321	∅ 15× ∅ 21 braided silicone tube	1
5	RH5003085	GM110BT solenoid valve harness assembly	1
6	RH4000053	M5*16 large pan head cross	2
7	RH5004321	∅ 15× ∅ 21 braided silicone tube	1
8	RH5006088	45 water valve retaining plate	1
9	RH5001436	G1/2 external wire X ∅ 16 copper elbow	1
10	RH5004736	With seat ball valve	1
11	RH4000036	M4*16 large pan head cross	2
12	RH5004733	Three to four tap	1
13	RH5004741	GM50B filter (80 mesh)	1
14	RH5005002	G3/8 external wire X ∅ 16 copper direct	1
15	RH5004321	∅ 15× ∅ 21 braided silicone tube	1

Main Frame



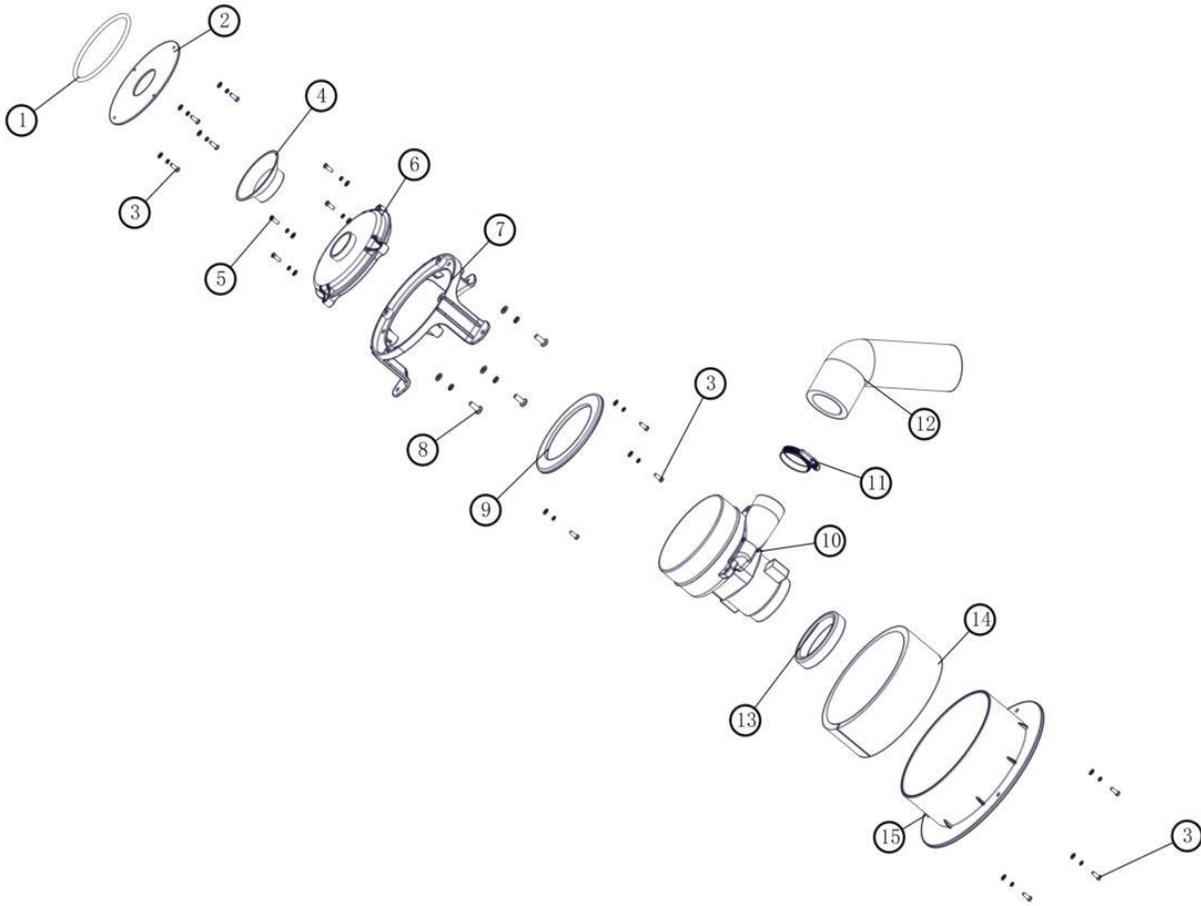
Ref.	Part No.	Description	Qty.
1	RH4000228	M12*45 hexagon socket 12.9 class	2
2	RH5006125	45Castor plate	2
3	RH5006077	45b chassis	1
4	RH5006085	45 Foot arm limit plate	1
5	RH4000062	The M5 * 20 hex	2
6	RH5002310	50B die-cast aluminum alloy rear wheel	2
7	RH4000093	M8 * 20 hex	4
8	RH5006067	R45 suction pull spring	1
9	RH5006078	45b wheel	1
10	RH5006083	45 Sucking and scraping fixed frame left	1
11	RH5006084	45 Suction and grab fixing frame right	1
12	RH4000072	M6 * 25 hex	4
13	RH4000699	GM50B universal wheel, 3×1.25 gray hole	2
14	RH4000766	Side brush pedal non-slip pad	1
15	RH5006081	R45B pedal arm	1
16	RH4000904	R pin 2 * 40	2

Main Frame (Cont.)



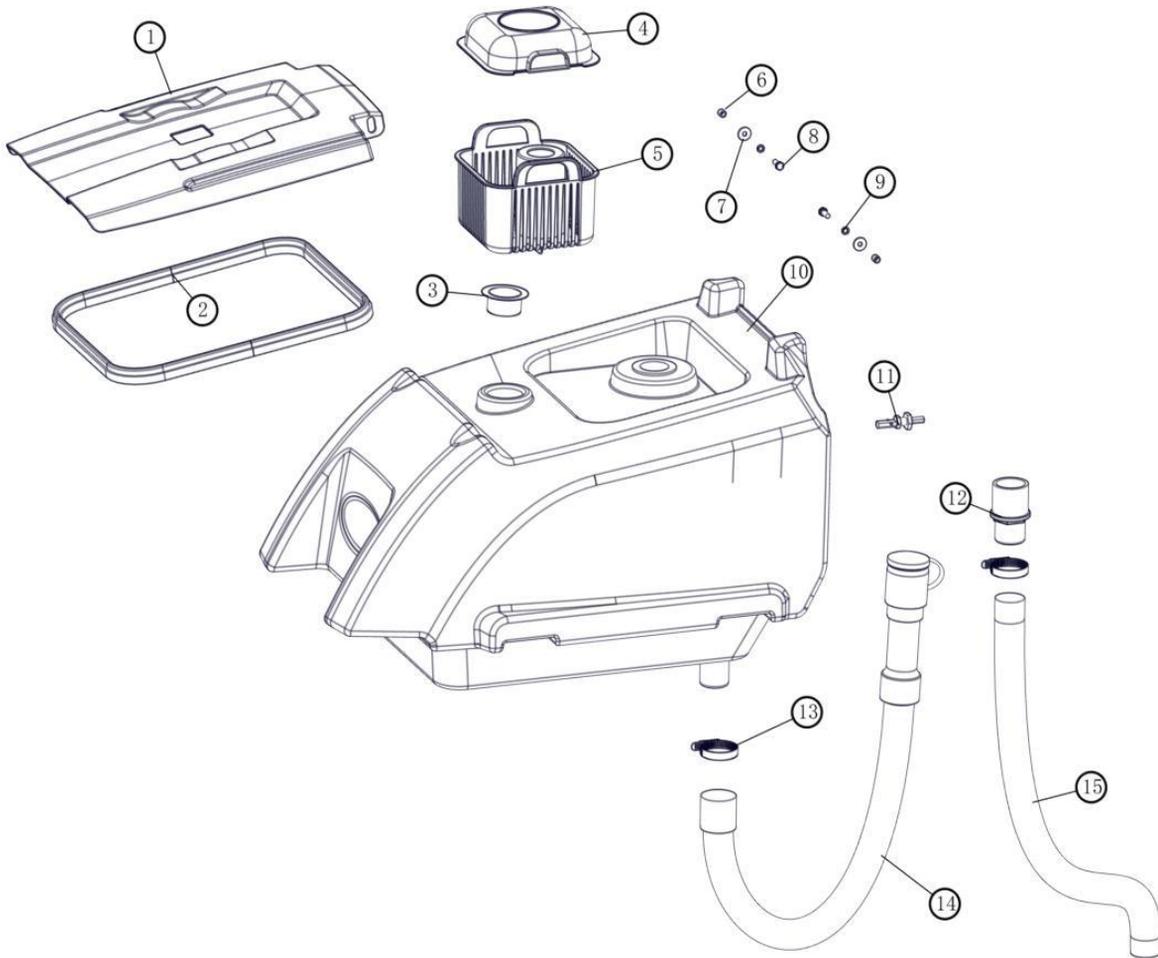
Ref.	Part No.	Description	Qty.
17	RH4000375	M8 extra-large gasket, \varnothing 8.4* \varnothing 24*2mm	2
18	RH5005669	S56B brush disc rotor arm bushing (new)	5
19	RH4000374	M8 increase the gasket, \varnothing 8.4* \varnothing 20*1.5mm	5
20	RH5006079	45 Motor connector	1
21	RH5006042	S56 Brush housing spring	1
22	RH4000040	M4*10 large pan head cross	2
23	RH5006089	Brush disk sensor mounting plate	1
24	RH5006133	Micro Switch,SB1-16Z4-D200	1
25	RH4001133	M3*20 small pan head cross	2
26	RH5006087	45 Brush disc right connecting rod	1
27	RH5006086	45 connecting rod gasket	1
28	RH4000091	M8 * 35 hex	1
29	RH4000094	M8 * 40 hex	3
30	RH5005713	S56B brush disc right connecting rod	2
31	RH5005977	Brush plate right connecting rod spring	1
32	RH4000090	M8 * 30 hex	6

Motor Assembly



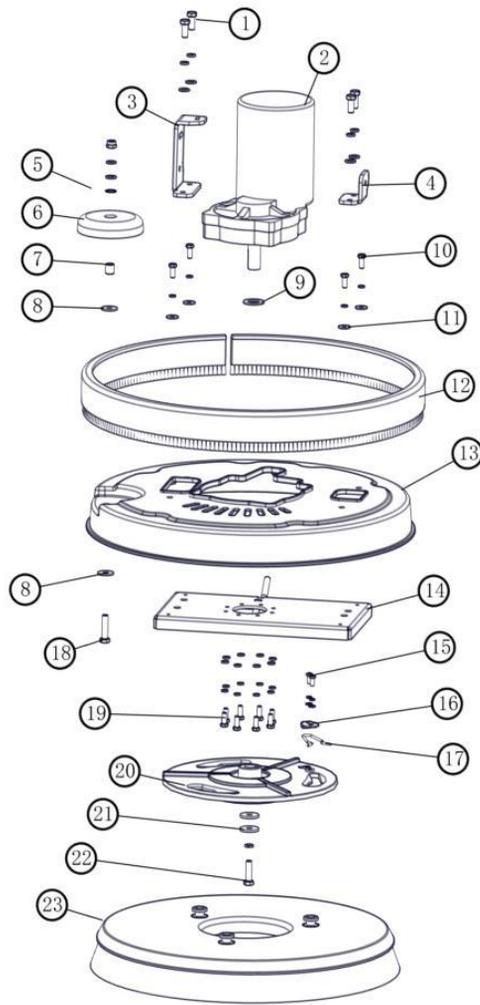
Ref.	Part No.	Description	Qty.
1	RH4000660	∅ 115x5.3, gm-x50b, inside diameter	1
2	RH5000511	Motor suction plate - mute, gm-x50b	1
3	RH4000038	M4*12 large pan head cross	10
4	RH5002337	Motor horn suction - mute, gm-x50b	1
5	RH4000112	M4*25 large pan head cross	4
6	RH5002144	Motor cover - mute, gm-x50b	1
7	RH5006115	45B vacuum motor bracket	1
8	RH4001030	M6*20 pan head cross	3
9	RH5002338	Motor cover pad - mute, gm-x50b	1
10	RH5002458	GM50B two-layer vacuum motor	1
11	RH4000009	∅ 33-57 adjustable ear clamp	1
12	RH5003632	GM230 motor muffler tube	1
13	RH5005973	S56B Motor Damping Ring	1
14	RH5006070	45 b sound attenuation of cotton	1
15	RH5006114	45B motor outer cover plate	1

Recovery Tank Group



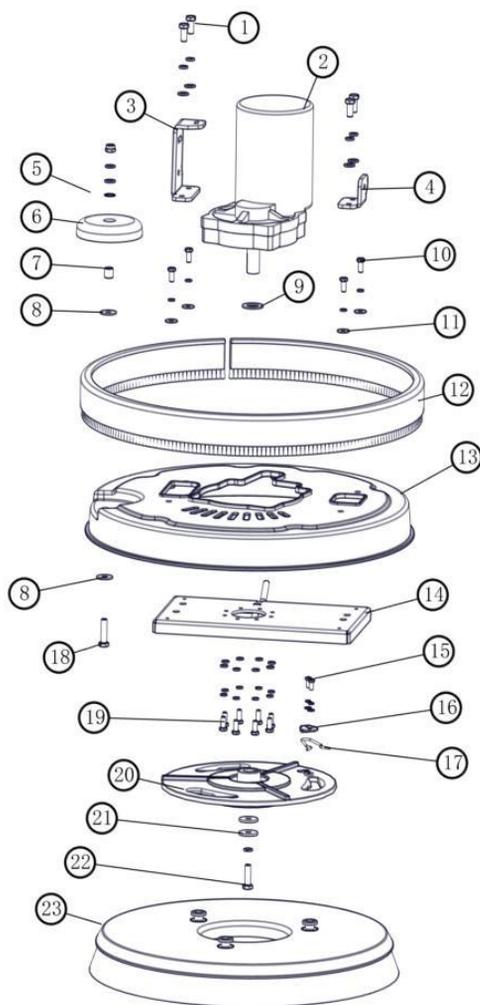
Ref.	Part No.	Description	Qty.
1	RH5006109	GM45B sewage cover	1
2	RH5003686	Running back cover seal strip black EPDM	1
3	RH5006130	net, motor protective, 45B	1
4	RH5005723	Sewage filter box cover (new style)	1
5	RH5005711	Sewage filter basket (new style)	1
6	RH5006096	Sewage cap fixing bushing	2
7	RH4000371	M6 increase the gasket	2
8	RH4000065	M6 * 16 hex	2
9	RH4000405	M6 play mat	2
10	RH5006018	GM45B waste	1
11	RH5003089	GM70BT sewage sensor harness assembly	1
12	RH5002179	PVC pipe connector, GM110	1
13	RH4000009	ϕ 33-57 adjustable ear clamp	2
14	RH5002833	GMmini/GM50B/GM70BT sewage pipe (black)	1
15	RH5002836	GM110 / GMmini suction tube	1

Scrub Head Group



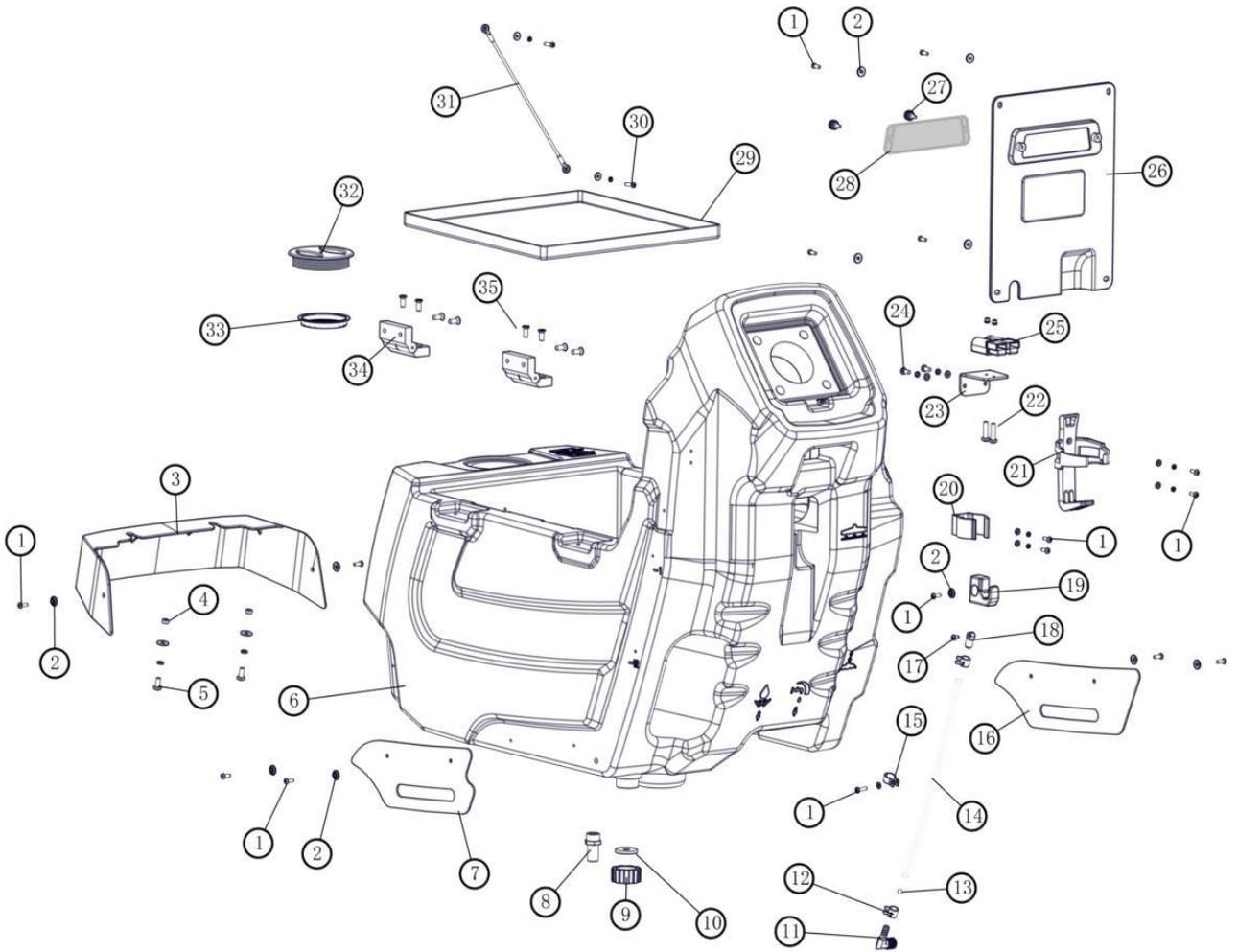
Ref.	Part No.	Description	Qty.
1	RH4000093	M8 * 20 hex	4
2	RH5002406	GM70BT brush motor	1
3	RH5006091	Brush tray bracket 2	1
4	RH5006090	Brush tray bracket 1	1
5	RH4000418	Ganizational 14 corrugated cushion	1
6	RH5001941	GM50B guide wheel, material: PA66 black	1
7	RH5000974	Suction wheel bushing, D	1
8	RH4000374	M8 increase the gasket, C 8.4* C 20*1.5mm	2
9	RH5005987	S56B brush button gasket	1
10	RH4000065	M6 * 16 hex	4

Scrub Head Group (Cont.)



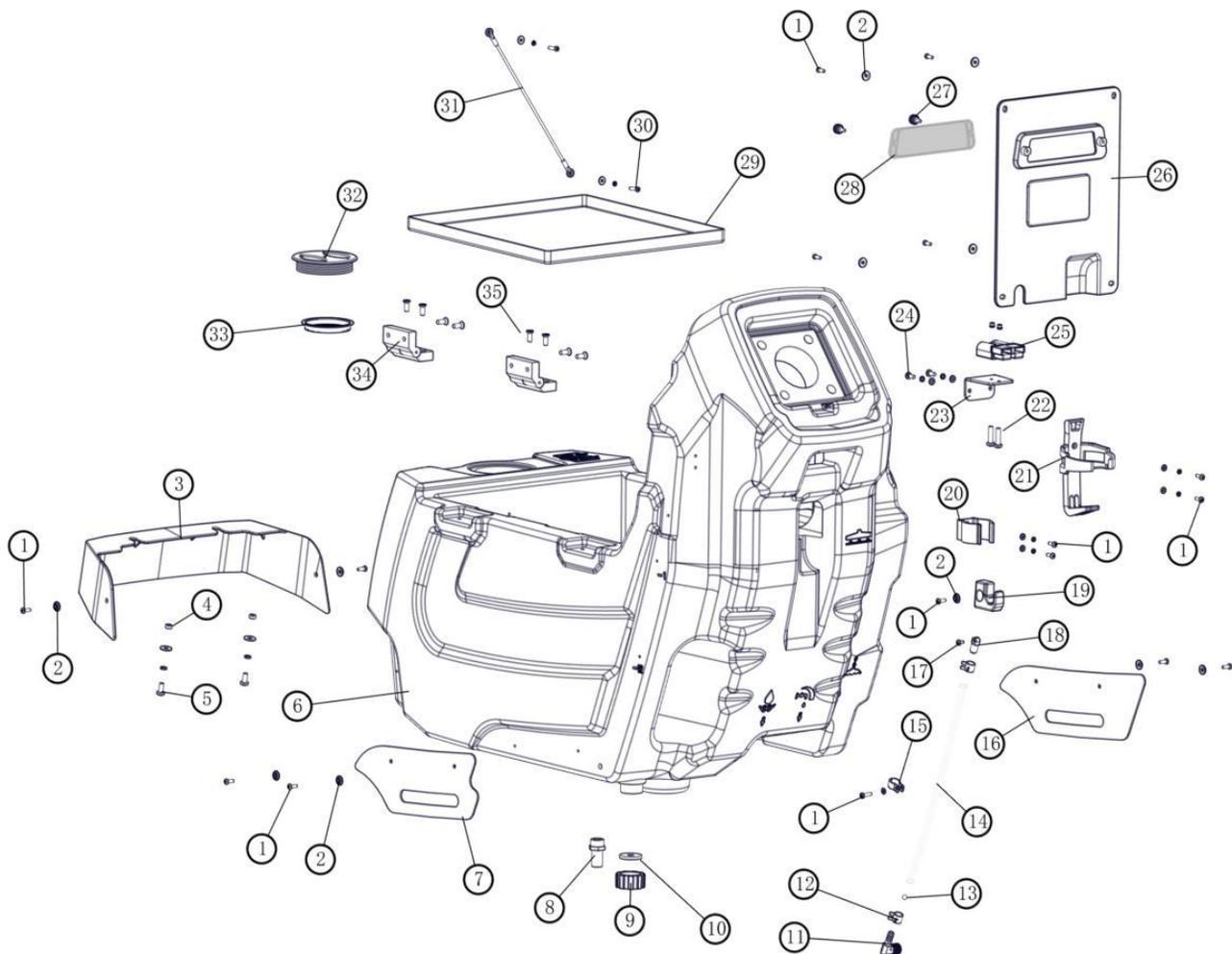
Ref.	Part No.	Description	Qty.
11	RH4000371	M6 increase the gasket	4
12	RH5006107	45B brush cover skirt hem	1
13	RH5006124	45 b brush cover	1
14	RH5006080	45B brush disc mounting plate	1
15	RH4000199	M5*12 large pan head cross	2
16	RH5005707	S56B snap button elastic snap plate	1
17	RH5005725	S56B brush buckle elastic snap	1
18	RH4000090	M8 * 30 hex	1
19	RH4000064	M6 * 20 hex	8
20	RH5005656	S56B brush buckle (new style)	1
21	RH4000375	M8 extra-large gasket, $\text{Ø } 8.4 * \text{Ø } 24 * 2\text{mm}$	2
22	RH4000087	M8 * 25 hex	1
23	RH5006069	45 b to brush	1

Solution Tank Group



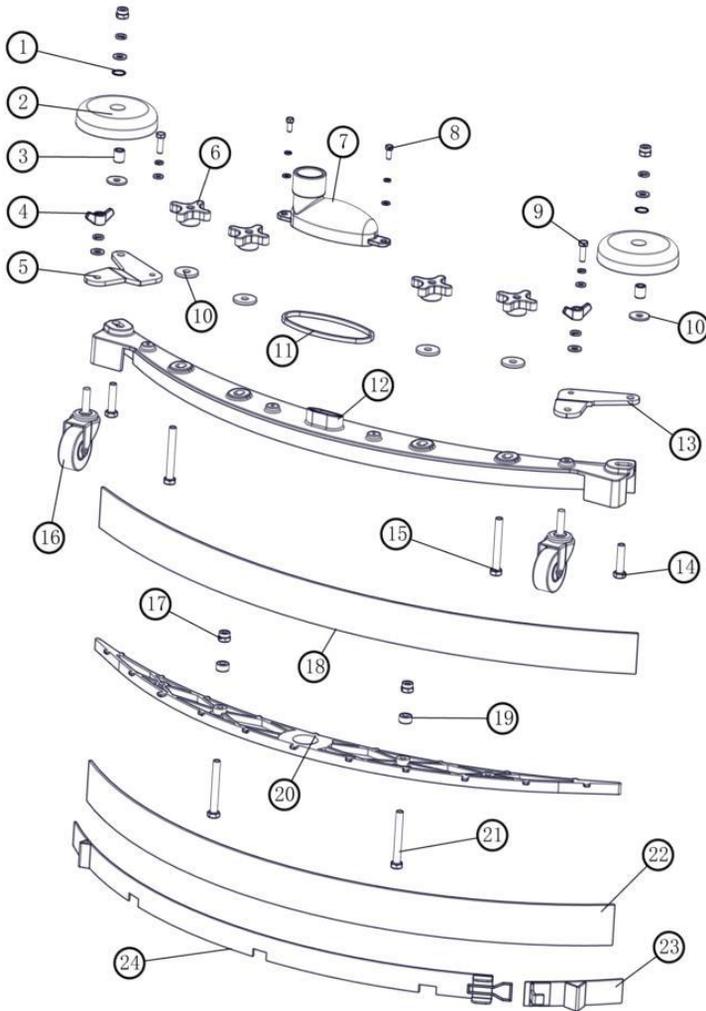
Ref.	Part No.	Description	Qty.
1	RH4000038	M4*12 large pan head cross	16
2	RH5005283	S1900 panel plastic pad (black nylon)	11
3	RH5006112	GM45B front cover	1
4	RH5006097	6 * 10 * 3.5 bushing	2
5	RH4000231	M6*14 small disc head cross	2
6	RH5006017	GM45B fresh tank	1
7	RH5006071	GM45B water tank left decorative plate	1
8	RH5001393	G1/2 wire x ganizational 16 direct	1
9	RH5001935	GM50B clear water tank plug	1
10	RH5002217	GM50B clean water tank plug gasket	1
11	RH5001384	G1/8 external silk * Φ 8 Angle elbow	1
12	RH4001008	11 clamp	2
13	RH5002145	Water level tube float, 6mm red	1
14	RH5002856	GM110 transparent tube, Φ 8	1
15	RH4000020	Ganizational 12mmR type wire clamp	1
16	RH5006072	GM45B water tank right decorative plate	1
17	RH4000040	M4*10 large pan head cross	1
18	RH5002029	Ganizational 8 pipe fixed joint	1

Solution Tank Group (Cont.)



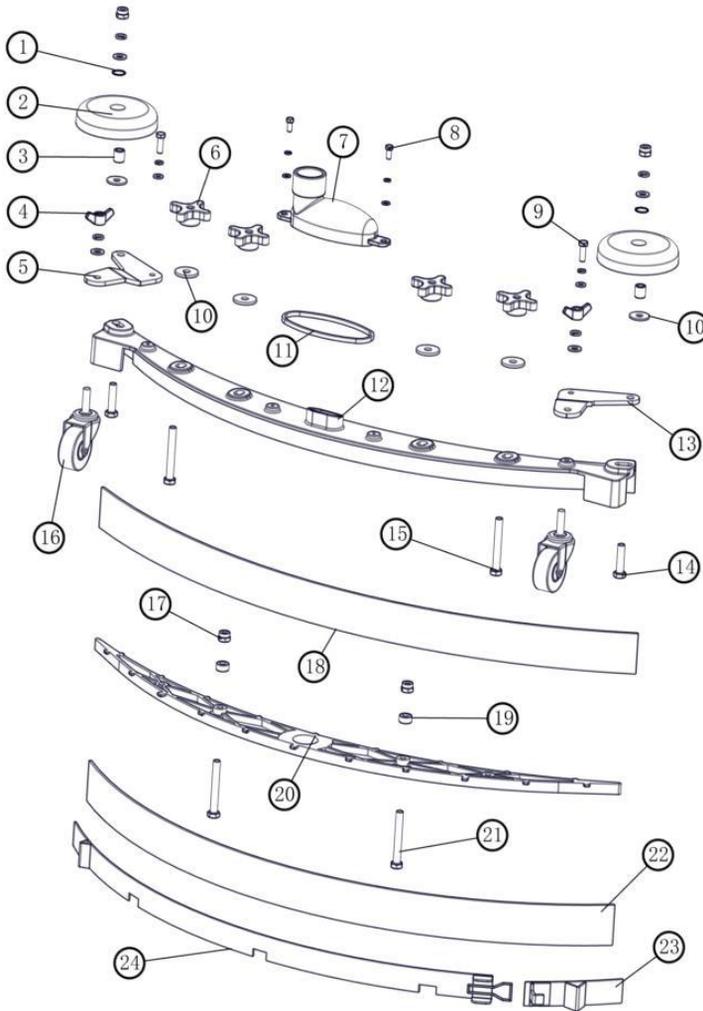
Ref.	Part No.	Description	Qty.
19	RH5005736	Storage bag hanger (new style)	1
20	RH5001942	GM50B sewage pipe support	1
21	RH5005695	Cup holder (new style)	1
22	RH4000112	M4*25 large pan head cross	2
23	RH5006100	45B charging connector mounting plate	1
24	RH4000199	M5*12 large pan head cross	2
25	RH5006059	R45 wiring harness 3	1
26	RH5006073	Electrical mounting plate	1
27	RH4001106	Hand screw plastic screw, M4×10	2
28	RH5005734	Insurance perspective cover (new style)	1
29	RH5001940	GM50B battery base, material: ABS black	1
30	RH4000036	M4*16 large pan head cross	2
31	RH5005693	S56B box drawing (new style)	1
32	RH5001908	Gms-2 clean water tank cover	1
33	RH5006068	80*30*60 mesh filter	1
34	RH4001141	45B main tank hinge	2
35	RH4000167	M6*20 flat cross	8

Squeegee Assembly



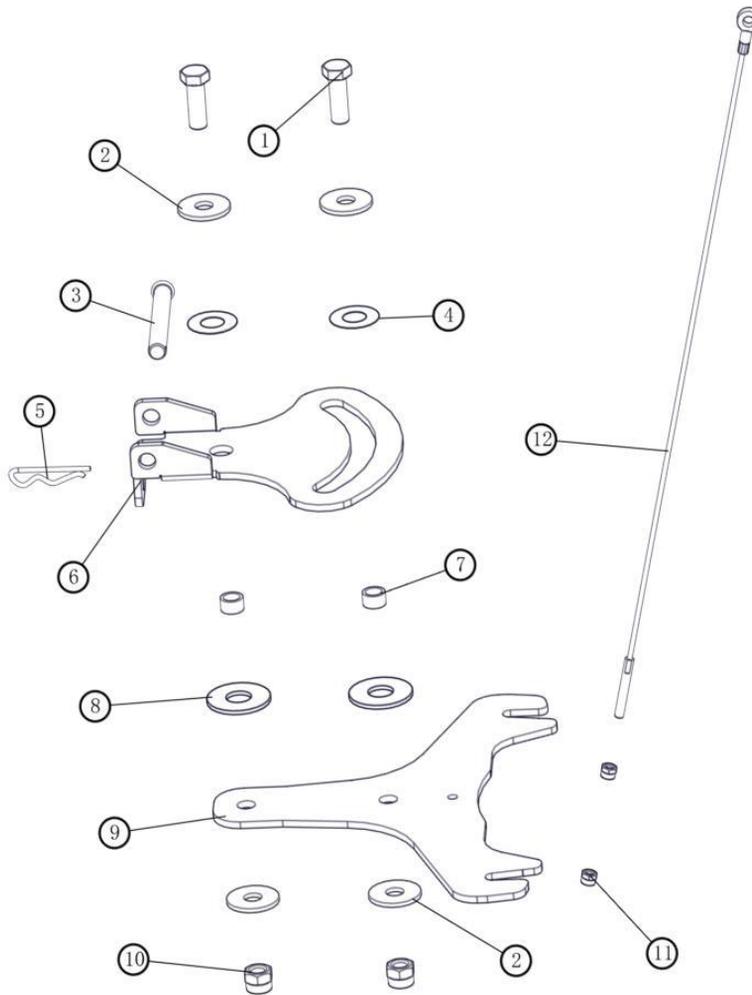
Ref.	Part No.	Description	Qty.
1	RH4000419	Ganizational 12 corrugated cushion	2
2	RH5001941	GM50B guide wheel, material: PA66 black	2
3	RH5000974	Suction wheel bushing, D	2
4	RH4000332	M10 nut	2
5	RH5006092	45 Suction caster bracket left	1
6	RH5005398	Cross hand nut M8 (yellow)	4
7	RH5004721	GM50B pick joint	1
8	RH4000068	M6 * 12 hex	2
9	RH4000169	M6*14 outer hexagonal stainless steel	2
10	RH4000374	M8 increase the gasket, $\text{C} 8.4 * \text{C} 20 * 1.5\text{mm}$	6
11	RH5002298	Suction outlet joint gasket	1
12	RH5000983	Cast aluminum suction, die cast aluminum	1

Squeegee Assembly (Cont.)



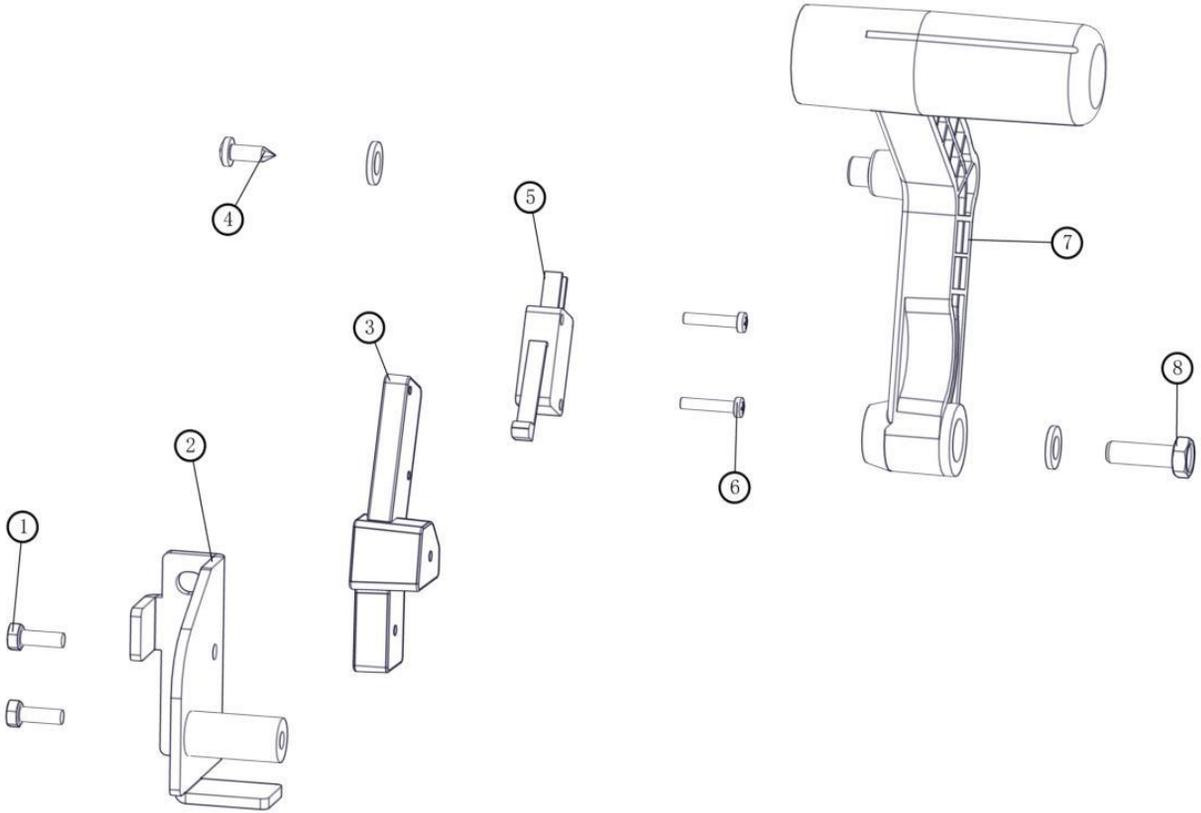
Ref.	Part No.	Description	Qty.
13	RH5006121	45 Suction caster bracket right	1
14	RH4000091	M8 * 35 hex	2
15	RH4000190	M8 * 55 hex	2
16	RH1006343	CASTER, SWIVEL, 50MMD, M10 X 30, CLR PL	2
17	RH4000330	M8 self-locking nut	2
18	RH5002301	AC cast aluminum suction D-1011B	1
19	RH5001001	Grilled suction cushion column	2
20	RH5002073	50 suction plastic gland	1
21	RH4000989	M8 * 65 outside hexagon	2
22	RH5005102	GM50B absorbent leather (3.0mm)	1
23	RH5005104	Welding drawing of 50B cast aluminum	1
24	RH5005105	Welding drawing of 50B cast aluminum	1

Squeegee Adjustment Group



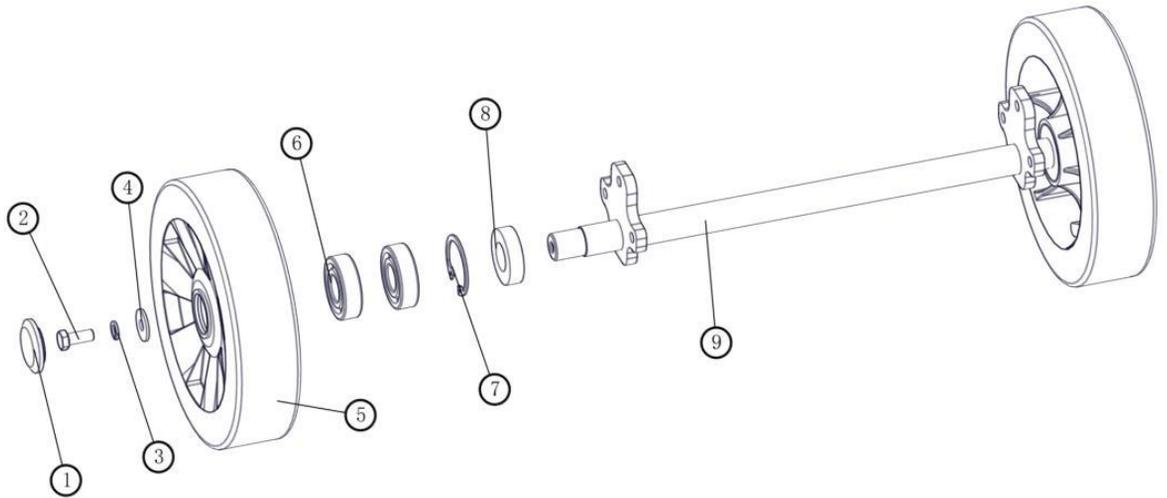
Ref.	Part No.	Description	Qty.
1	RH4000316	M12 * 35 hex	2
2	RH4000378	M12 increase the pad W36 special	4
3	RH4001142	pin roll12*95	1
4	RH4001004	17×35×0.5 tetrafluorin gasket	2
5	RH4000904	R pin 2 * 40	1
6	RH5006094	45B suction and scrape fixed plate	1
7	RH5006098	45B suction and pick sleeve	2
8	RH5004742	18*45*3 teflon gasket	2
9	RH5006082	45B suction and scraping Angle bracket	1
10	RH4000335	M12 self-locking nut	2
11	RH4000328	M6 self-locking nut	2
12	RH4001140	R45B suction wire drawing	1

Squeegee Lift Group



Ref.	Part No.	Description	Qty.
1	RH4000038	M4*12 large pan head cross	2
2	RH5000028	GM50B suction lifting bracket, GM50B	1
3	RH5006106	45B micro switch mounting plate	1
4	RH4000048	ST4*10 cross attack	1
5	RH5001521	GM50B single-pole micro switch	1
6	RH4000031	M3*16 pan head cross	2
7	RH5001932	GM50B suction lifting handle	1
8	RH4000068	M6 * 12 hex	1

Wheel Assembly



Ref.	Part No.	Description	Qty.
1	RH5002053	70BT die-cast aluminum alloy wheel(red)	2
2	RH4000093	M8 * 20 hex	2
3	RH4000406	M8 play mat	2
4	RH4000374	M8 increase the gasket, Φ 8.4* Φ 20*1.5mm	2
5	RH5002310	50B die-cast aluminum alloy rear wheel	2
6	RH4000522	Waterproof bearing	4
7	RH4000499	Φ 42 mm hole CARDS	2
8	RH4000673	Oil seal Φ 42X Φ 22X11	2
9	RH5006078	45b wheel	1